



MILTECH™ 718

Ultra Compact 8 x 1GbE Embedded Military Board Level Ethernet Switch

PRODUCT DESCRIPTION

One of the most exciting advancement in technology over the last decade has been unmanned vehicles including:

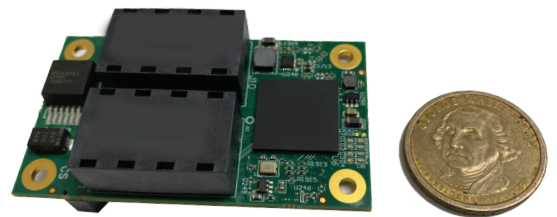
- Unmanned aerial vehicles (UAVs) or Drones
- Land autonomous vehicles (UGVs)
- Robots
- Other unmanned support vehicles

These vehicles must be agile, compact and highly intelligent. In order to support this sophisticated intelligence, these platforms may have to carry and connect a variety of Ethernet-based devices including computers, sensors, and targeting systems - all in compact platforms that must operate in extreme environmental conditions.

The MILTECH718 is a rugged, cost-effective, ultra-compact board-level Ethernet switching solution (70x40mm). Equipped with 8GbE 10/100/1000Mbps ports, this board - level switch is ideal for integrating system level solutions through board-to-board connectors.

The MILTECH718 consumes only 5W of power and uses 9-32VDC. Its ruggedized design feature mechanical packaging enhancements designed for MILSTD-461E, MILSTD-810F/G and IP68 compliance when installed in an appropriate enclosure.

SPECIFICATIONS	
ETHERNET PORTS:	<ul style="list-style-type: none"> • 8 x triple-speed 10/100/1000Mbps
NETWORKING:	<ul style="list-style-type: none"> • Full wire-speed forwarding rate • Cut through switch fabric • Auto MDI, MDI-X • Jumbo frame up to 10K Bytes • 16K mac addresses
CONNECTORS:	<ul style="list-style-type: none"> • Power + LAN Connector: Samtec board to board connector: QTE-040-02-L-D-A
STANDARDS:	<ul style="list-style-type: none"> • MILSTD-461E, MILSTD-810F/G, IP68 when installed in an appropriate chassis
PERFORMANCE:	<ul style="list-style-type: none"> • 2Mbit packet buffer • 25Gbps High-Performance Bandwidth • LED indication (Speed, Link/Activity) per port - Optional • Wire-Speed Reception and Transmission • Integrated Address Look-Up Engine • Automatic Address Learning
STANDARDS COMPLIANCE:	<ul style="list-style-type: none"> • IEEE 802.3ab 1000BASE-TX • IEEE 802.3u 100BASE-TX • IEEE 802.3x Flow Control



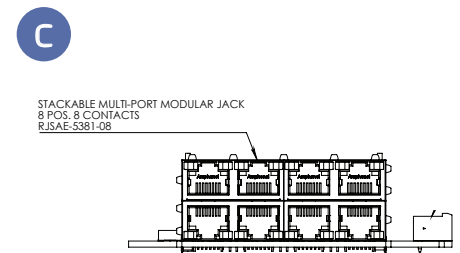
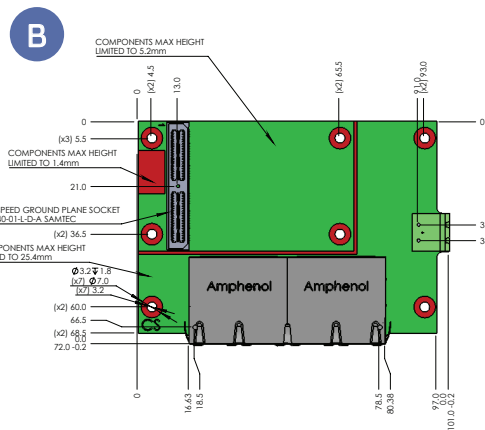
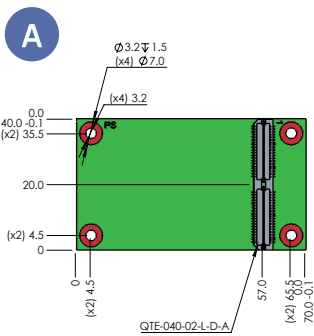


MILTECH™ 718

Ultra Compact 1G Embedded Military Board Level Ethernet Switch

SPECIFICATIONS

POWER:	<ul style="list-style-type: none"> Voltage Input: 9-32Vdc Nominal Power Consumption: 5W Typical Chassis grounding
ELECTROMAGNETIC:	<ul style="list-style-type: none"> MIL-STD-461E Electromagnetic compatibility CE-102 CS-114 CS-115 CS-116 RE-102 RS-103 *When installed in an appropriate chassis
ENVIRONMENTAL:	<ul style="list-style-type: none"> MILSTD-810F/G Random vibration (514.5I) Bench Handling (516.6VI) High Temp.(501.5I,II) Low Temp.(502.5I) Humidity (507.5II) Air Pressure (500.5I,II) Blowing Rain (506.5I) Immersion (512.5I) Salt Atmosphere (509.5I) Blowing Dust (510.5I) Loose Cargo Vibration (514.6II) Wind Analysis IP68 *When installed in an appropriate chassis
PHYSICAL:	<ul style="list-style-type: none"> Dimensions: 70mm (L) x 40mm(W) Dimensions: 2.75"(L) x 1.57"(W)
INSTALLATION:	<ul style="list-style-type: none"> 4 x mounting holes for board to board mounting
COOLING:	<ul style="list-style-type: none"> No Moving Parts. Passive Cooling
OPERATING TEMP:	<ul style="list-style-type: none"> -40°C to +85°C (-40°F to +185°F) - Cold Start-Up
STORAGE TEMP:	<ul style="list-style-type: none"> -45°C to +85°C (-49°F to +185°F)



ORDERING INFORMATION

PART NUMBER	DESCRIPTION
1-718-000	<ul style="list-style-type: none"> Ultra Compact 1G Embedded Military Board Level Ethernet Switch, 8 x 10/100/1000TX, ESoB
1-718EV-000	<ul style="list-style-type: none"> Evaluation board for MILTECH718
1-718EV-001	<ul style="list-style-type: none"> Evaluation board MILTECH718 with conformal coating