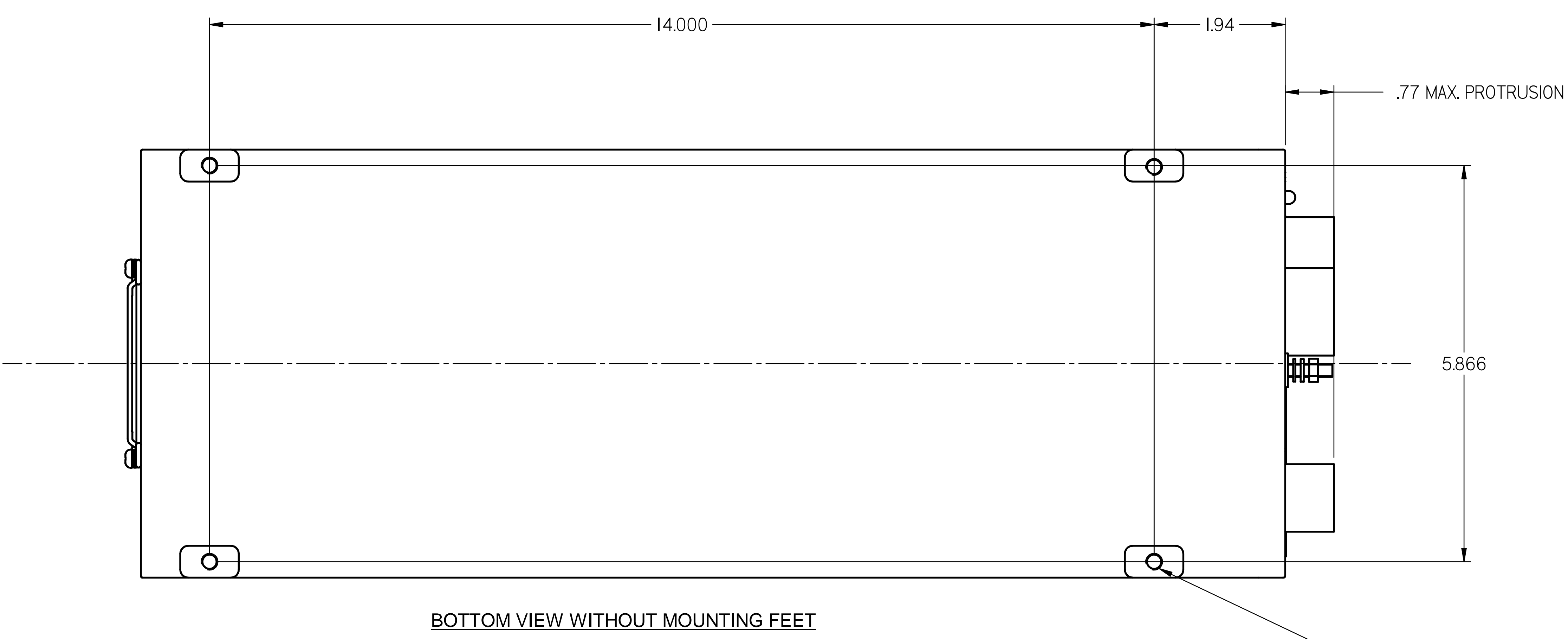
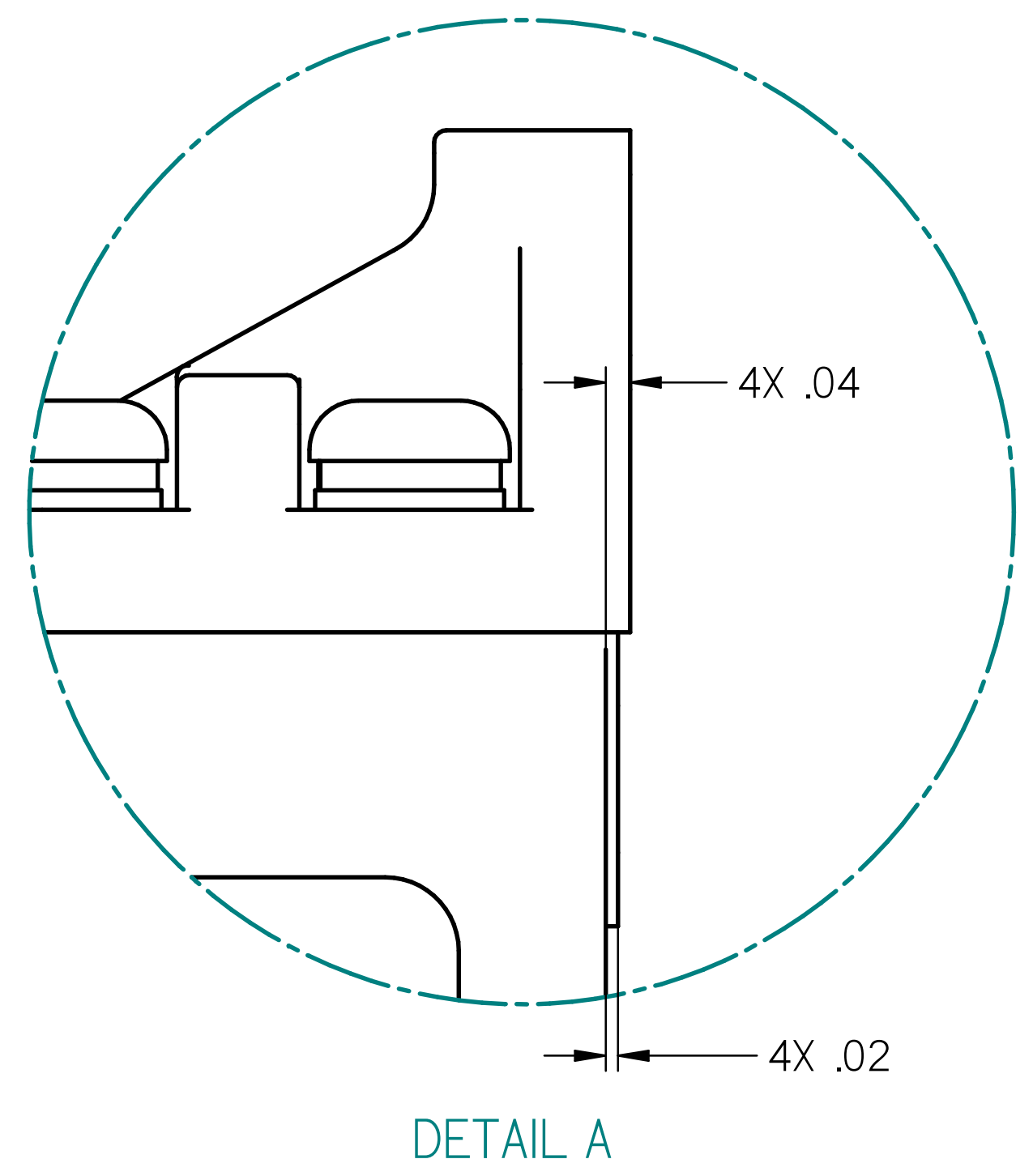
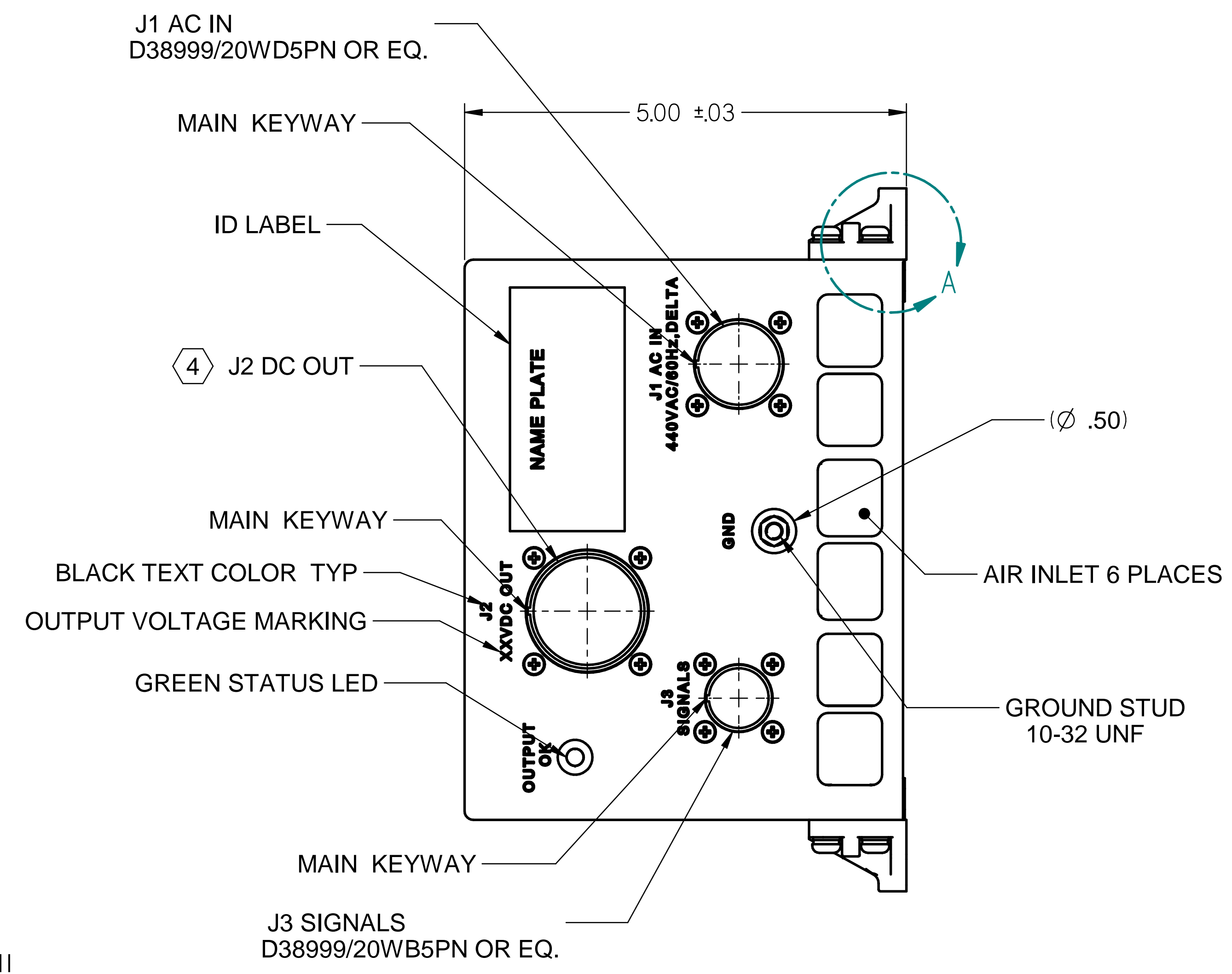
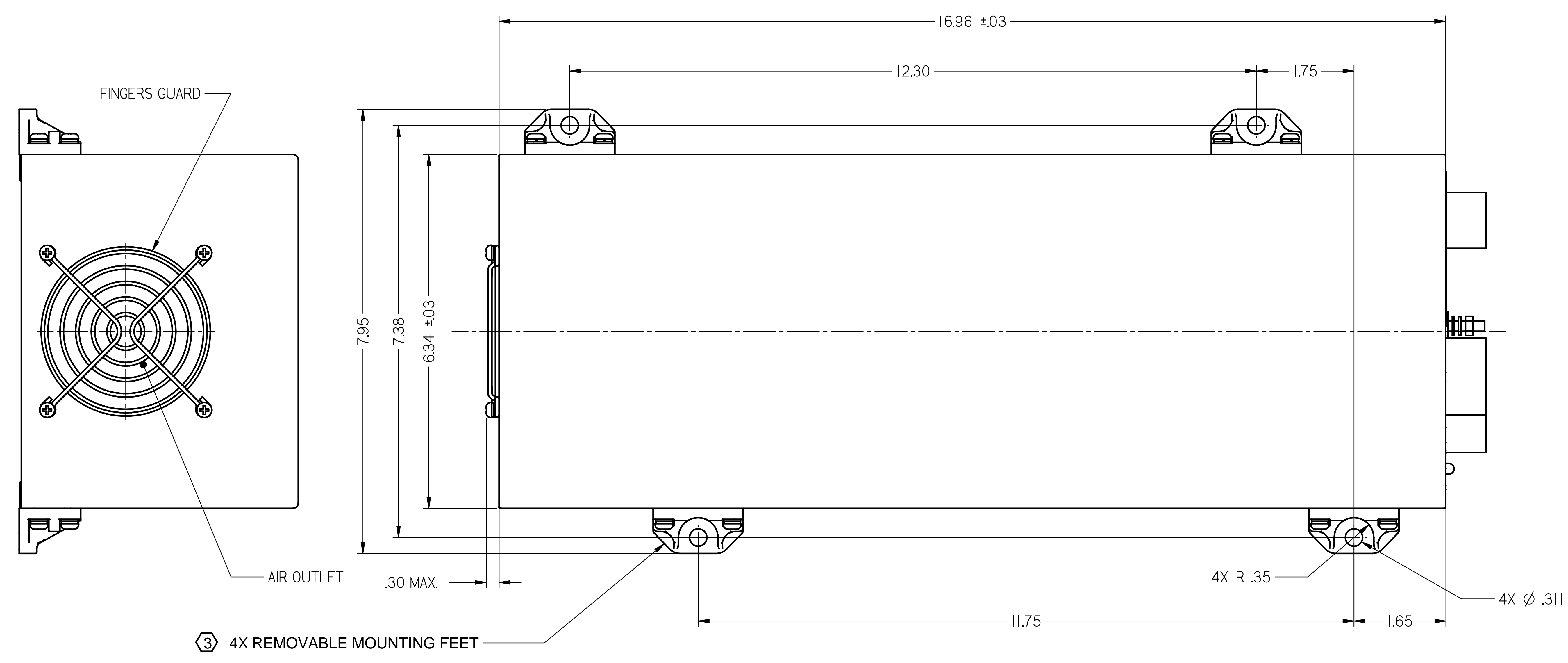
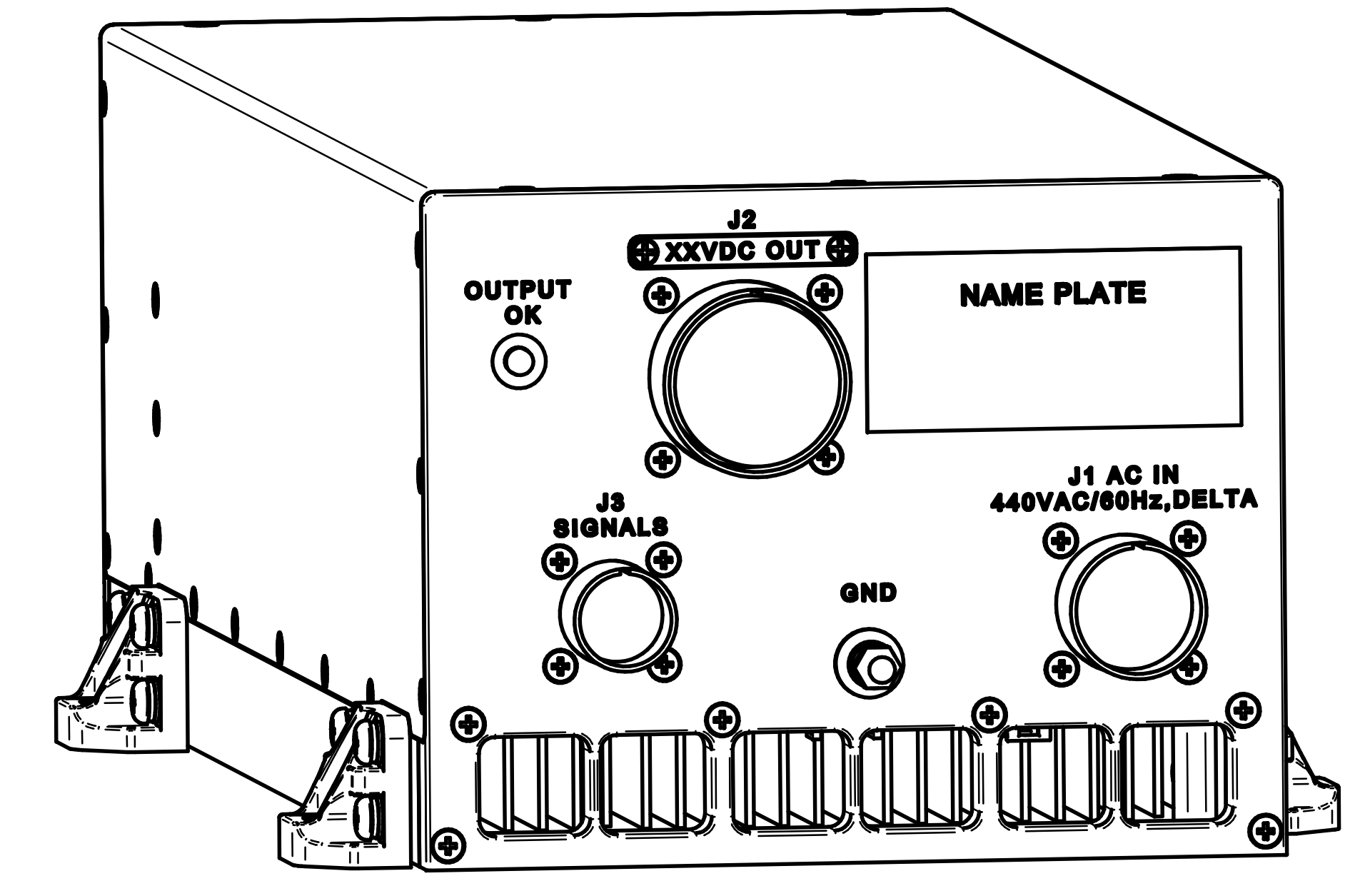
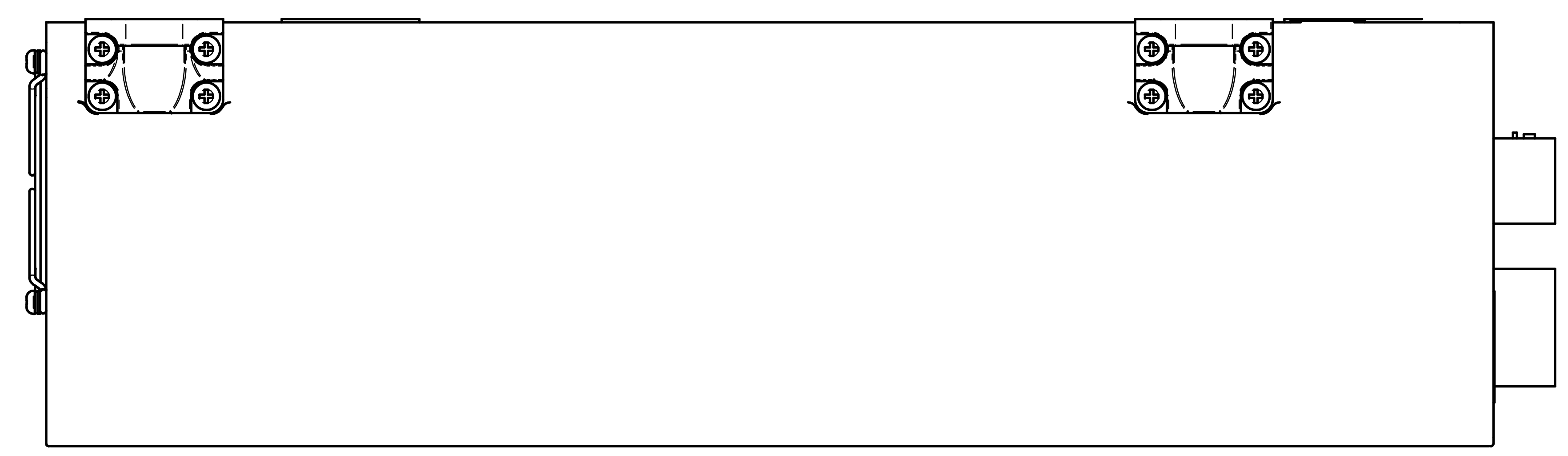


REVISIONS					
ZONE	ECN	REV	DESCRIPTION	DATE	APPROVED
	R35226	-	RELEASED	25-JUNE-2020	E.S.
	R38074	A	ECO. INC.	15-OCT-2020	E.S.
	R38662	B	ECO. INC.	10-NOV-2020	E.S.

- NOTES:
- MATERIAL CHASSIS : AL 6061-T651 OR EQ.
COVER : AL 5052-H32 OR EQ.
 - FINISH : CHROMATE CONVERSION COATING
PER MIL-DTL-5541F
TYPE II CLASS 1A (OR 3) CLEAR.
 - USE THE MOUNTING THREADS OR MOUNTING FEET BUT NOT BOTH.
WHEN USING THE MOUNTING THREADS REMOVE THE MOUNTING FEET.
 - FOR -102, -103, -105 D38999/20WJ19SN OR EQ.
FOR -104, -106 D38999/20WG16SN OR EQ.



③ MOUNTING THREADED HOLES.
INSERT 1/4-28 UNF X 1.5D (.25-28 UNF).
13.7 (.54) MAX SCREW PENETRATION 4 PLACES



UNLESS OTHERWISE SPECIFIED: DIMENSIONS ARE IN INCH TOLERANCES ARE: DIM > .10 XXX ±.015		CONTRACT NO.		TITLE	
THIRD ANGLE PROJECTION		APPROVALS	DATE	P.S. M9204	
DRAWN	E.S.	14-JAN-2020	OUTLINE DIMENSIONS		
CHECKED	A.Y.	14-JAN-2020	CODE/REV	TOW/NO	REV
APPROVED	A.Y.	14-JAN-2020	E 0B7R6	M9204001	B
SCALE 1:1		SHEET 1 OF 1			

COMPUTER GENERATED: DO NOT MANUALLY ALTER

MPS MILPOWER SOURCE.