

M3289

EMI LINE FILTER



PRODUCT HIGHLIGHTS

- 3-PHASE 115V/400 Hz
- UP TO 2 kW

Applications

Military, Ruggedized, Telecom, Industrial Line Filter

Special Features

- Improves EMI performance

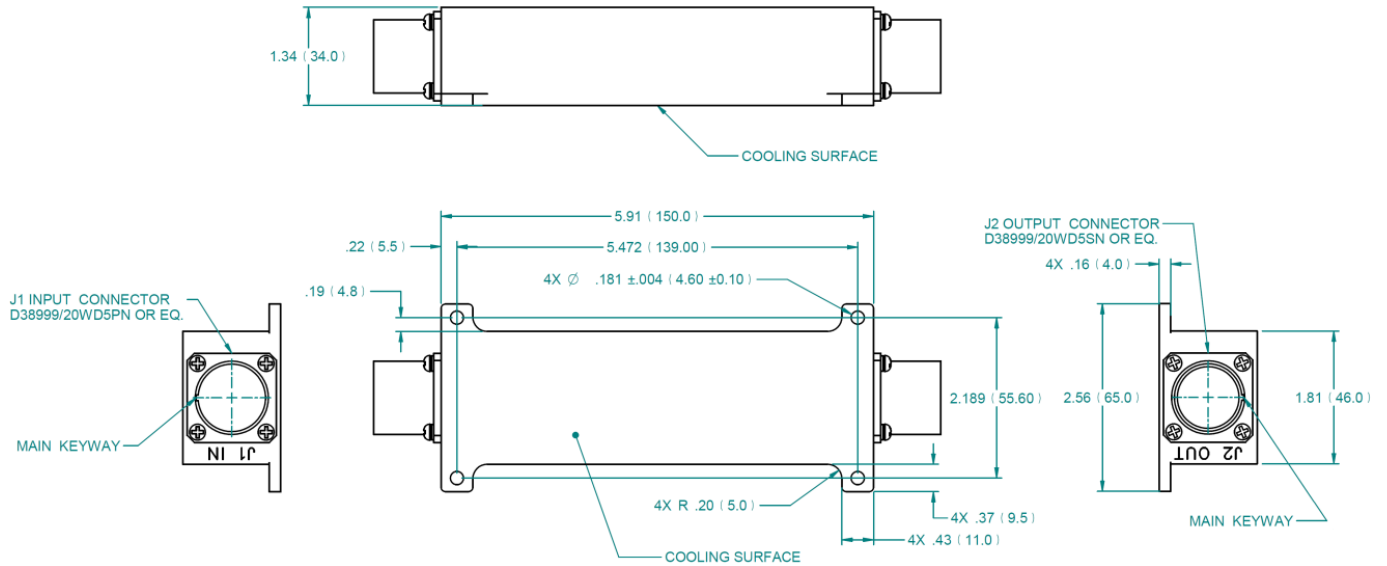
Electrical Specifications		
<u>AC Input range:</u> 115 V _{AC,L-N} ± 10%, 400 Hz, 3-phase IAW MIL-STD-704A	<u>AC output:</u> Following input	<u>Isolation:</u> Input to Case: 500 V _{DC} Output to Case: 500 V _{DC}
Environmental Conditions		
Designed to Meet MIL-STD-810F		
<u>Temperature</u> Methods 501.4 & 502.4 Operating: -55°C to +85°C (at baseplate) Storage: -55°C to +125°C (ambient)	<u>Vibration</u> Method 514.5 Procedure I, Category 24 General minimum integrity exposure IAW Figure 514.5C-17 1 hour per axis.	<u>Shock</u> Method 516.5 Procedure I 20 g / 11 ms terminal peak sawtooth shock pulse
<u>Altitude</u> Method 500.4 Procedure I – Storage/Air transport: up to 70,000 ft. (non-operational) Procedure II – Operation/Air Carriage: up to 40,000 ft. (operational)	<u>Salt Fog</u> Method 509.4	
<u>Humidity</u> Method 507.4 Up to 95% RH		

Pin Assignment

	Input	Output
Connector type	D38999/20WD5PN or eq.	D38999/20WD5SN or eq.
Mates with	D38999/26WD5SN or eq.	D38999/26WD5PN or eq.

Function	Input	Output
Phase A	A	A
Phase B	B	B
Phase C	C	C
Chassis GND	E	E
N/C	D	D

Outline Drawing



Notes

1. Dimensions are in inches [mm]
2. Tolerance is:
.XX ± .02 in
.XXX ± .010 in
3. Weight: Approx. TBD oz [TBD g]

Note: Specifications are subject to change without prior notice by the manufacturer