

M4244 SERIES

DC/DC POWER SUPPLY



PRODUCT HIGHLIGHTS

- MINIATURE
- HIGH DENSITY
- HIGH EFFICIENCY
- SINGLE OUTPUT
- DC/DC POWER SUPPLY
- UP TO 500 W

Applications

Military (ground-fix, shipboard), Ruggedized, Telecom, Industrial

Special Features

- Miniature size
- High efficiency
- Wide input range
- Input / Output Isolation
- Voltage Sense Compensation
- Fixed switching freq. (250 kHz)
- External sync. capability
- Sync. out capability
- Remote Inhibit
- EMI filters included
- Non-latching automatic recovery protections:
 - Short-circuit
 - Over-voltage
 - Over temperature

Electrical Specifications

DC Input

Voltage range: 18 to 70 V_{DC}

DC Output

Voltage range: 3.3 to 400 V_{DC}

Current range: 0 to 30 A

Power range: 0 to 500 W

Isolation – Low voltage version

Input to Output: 200 V_{DC}

Input to Case: 200 V_{DC}

Output to Case: 200 V_{DC}

Transient over-and-undershoot

Output resistance at load change of 50% to 100% is 30 to 120 mΩ (depending on output voltage).

Output returns to steady-state value within 300 to 500μs

Normal surge (operational)

IAW MIL-STD-1275A-D and MIL-STD-704A-F.

MIL-STD-1275E option.

Output voltage regulation

Less than ±1%

(no load to full load, –55°C to +85°C and over normal input voltage range).

Isolation – High voltage version

Input to Output: 500 V_{DC}

Input to Case: 200 V_{DC}

Output to Case: 500 V_{DC}

Efficiency

Typically, 80 to 85% (28V_{DC} or 270V_{DC} output, full load, nominal input voltage, room temperature)

Abnormal surge (no damage)

IAW MIL-STD-1275A-D (100 V for 50 ms) and MIL-STD-704A-F (80 V for 0.1 s)

Ripple & Noise

Less than 50mV_{p-p}, typical (max. 1%) without external capacitance. When connected to system capacitance ripple drops significantly.

EMC

Designed to meet* MIL-STD-461F CE101, CE102, CS101, CS114, CS115, CS116, RE101, RE102, RS101, RS103

Turn-on transient

No Voltage overshoot during power on.

* EMC compliance achieved when tested with 5 μH LISNs, shielded harness and static resistive load.

Protections *

Input

- **Under-Voltage Lock-Out**
Unit shuts down below $16.5V_{DC} \pm 1V$.
- **Over-Voltage Lock-Out**
Unit shuts down above $75V_{DC} \pm 3V$.

Output

- **Active Over-Voltage Protection**
Internal control shuts output voltage down if it exceeds $110\% \pm 5\%$ of nominal voltage.
- **Passive Over-Voltage Protection**
Transorb assembled across the output pins, selected at $120\% \pm 10\%$ of nominal voltage.
- **Under-Voltage Protection**
Internal control shuts output voltage down (hiccup) if falls below $85\% \pm 5\%$ of nominal voltage.
- **Current Limiting**
Continuous protection (10-30% above maximum current) for unlimited time (Hiccup).

General

- **Over Temperature Protection**
Unit shuts down if baseplate temperature rises above $+105^{\circ}C \pm 5^{\circ}C$.
Automatic recovery when baseplate temperature falls below $+95^{\circ}C \pm 5^{\circ}C$.

Environmental Conditions

Designed to meet MIL-STD-810F

Temperature

Operating: $-55^{\circ}C$ to $+85^{\circ}C$ (at baseplate)
Storage: $-55^{\circ}C$ to $+125^{\circ}C$

Humidity

Method 507.4
Procedure I
Up to 95% RH

Altitude

Method 500.4
Procedures I & II – Up to 33 kft.
Higher altitude option.

Vibration (random)

Method 514.5
Category 4 - General minimum integrity exposure
IAW Figure 514.5C-17
1 hour per axis.

Salt Fog

Method 509.4

Shock

Method 516.5
Procedure I
20 g, 11 ms terminal peak saw-tooth,

Reliability

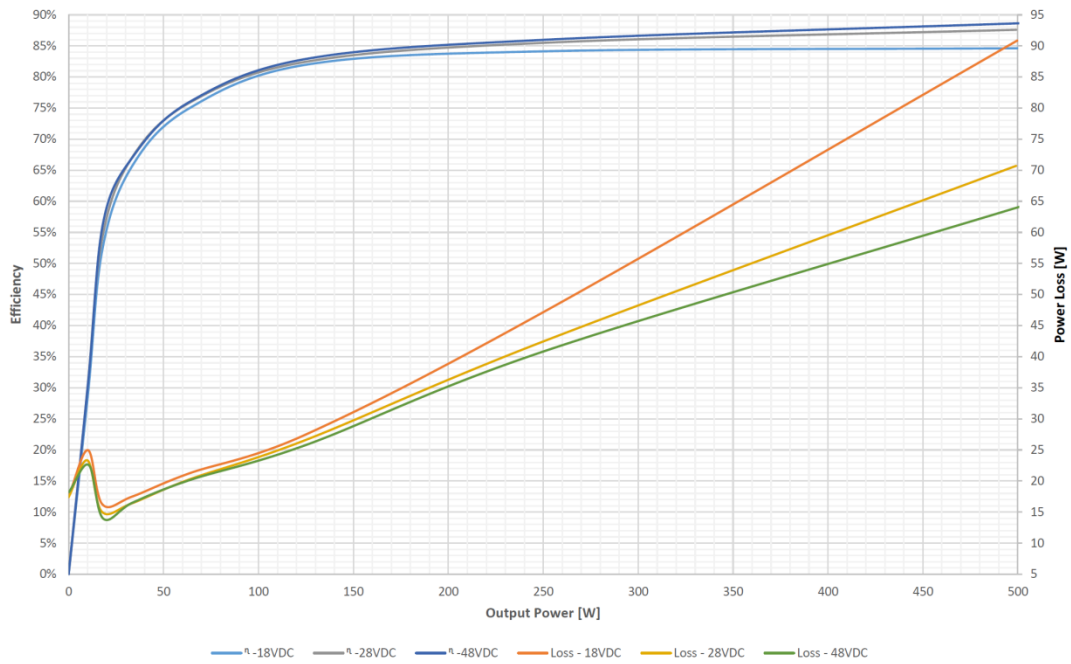
150,000 hours, calculated IAW MIL-HDBK-217F Notice 2 at $+85^{\circ}C$ baseplate, Ground Fixed environment.

Notes:

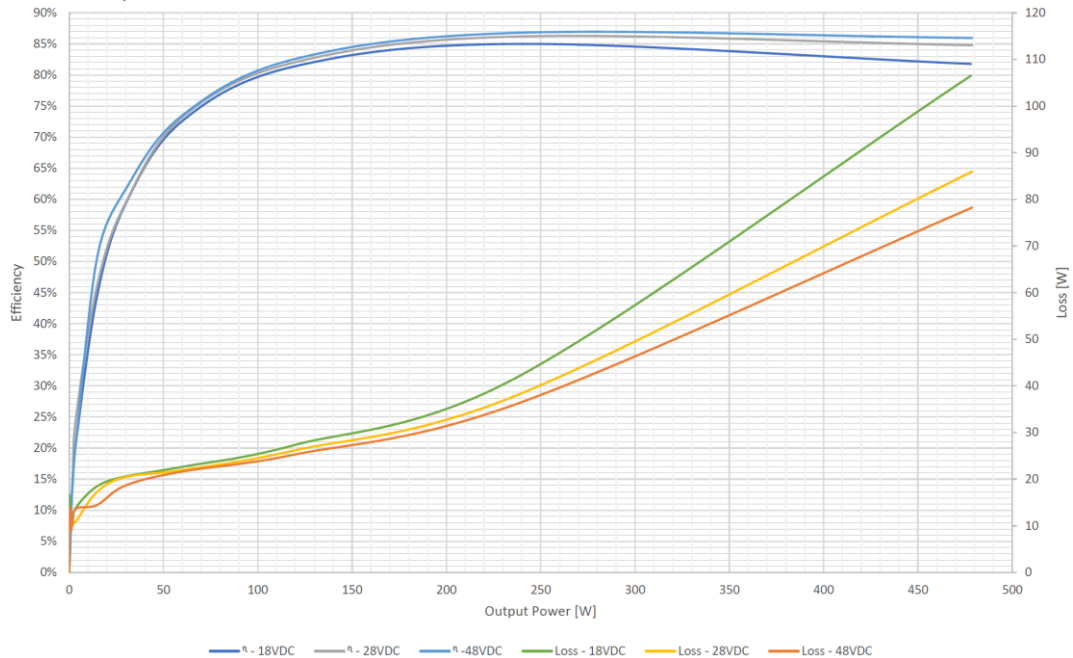
- * Thresholds and protections can be modified / removed – please consult factory.

Typical Efficiency Curves

270 V_{DC} output version:



28 V_{DC} output version:



Pin Assignment †

J1 - Input Connector

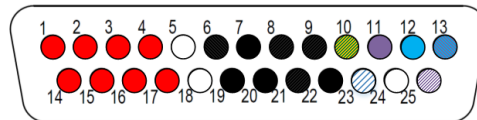
Type: M24308/24-39F or eq.

Mates with: M24308/2-3F or eq.

Pin #	Function	P	
1	INPUT	+	●
2	INPUT	+	●
3	INPUT	+	●
4	INPUT	+	●
5	N.C.		
6	INPUT RTN	-	●
7	INPUT RTN	-	●
8	INPUT RTN	-	●
9	INPUT RTN	-	●

Pin #	Function	P	
10	CHASSI S		●
11	SYNC IN	+	●
12	INHIBIT IN	+	●
13	SIGNAL RTN	-	●
14	INPUT	+	●
15	INPUT	+	●
16	INPUT	+	●
17	INPUT	+	●
18	N.C.		

Pin #	Function	P	
19	INPUT RTN	-	●
20	INPUT RTN	-	●
21	INPUT RTN	-	●
22	INPUT RTN	-	●
23	N.C.		
24	INHIBIT OUT		○
25	SYNC OUT		○



J2 - Output Connector

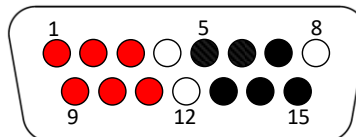
Type: M24308/23-38F or eq.

Mates with: M24308/4-2F or eq.

Pin #	Function	P	
1	OUTPUT	+	●
2	OUTPUT	+	●
3	OUTPUT	+	●
4	N.C.		●
5	OUTPUT RTN	-	●

Pin #	Function		
6	OUTPUT RTN	-	●
7	OUTPUT RTN	-	●
8	N.C.		
9	OUTPUT	+	●
10	OUTPUT	+	●

Pin #	Function	P	
11	OUTPUT	+	●
12	N.C.		
13	OUTPUT RTN	-	●
14	OUTPUT RTN	-	●
15	OUTPUT RTN	-	●



† All pins with identical function/designation should be connected together for best performance.

Functions and Signals

INHIBIT IN

The INHIBIT signal is used to turn the power supply ON and OFF.

TTL "1" or OPEN – Power supply active (output turned on).

TTL "0" or SHORT to Signal RTN – Power supply inhibited (output turned off).

If this function is not required, leave this pin unconnected.

INHIBIT OUT

Used when connecting two units or more in parallel. Connect this signal to the INHIBIT IN pin of the slave unit (see diagram below). This signal synchronizes the shutdown and startup of the units.

SYNC IN signal

The SYNC IN signal is used to allow the power supply frequency to sync with the system frequency.

The system frequency can be 250 kHz \pm 10 kHz.

When not connected the power supply will work at 250 kHz \pm 10 kHz.

SYNC OUT signal

The SYNC OUT signal is used to sync the system and / or other power supplies with the power supply's frequency.

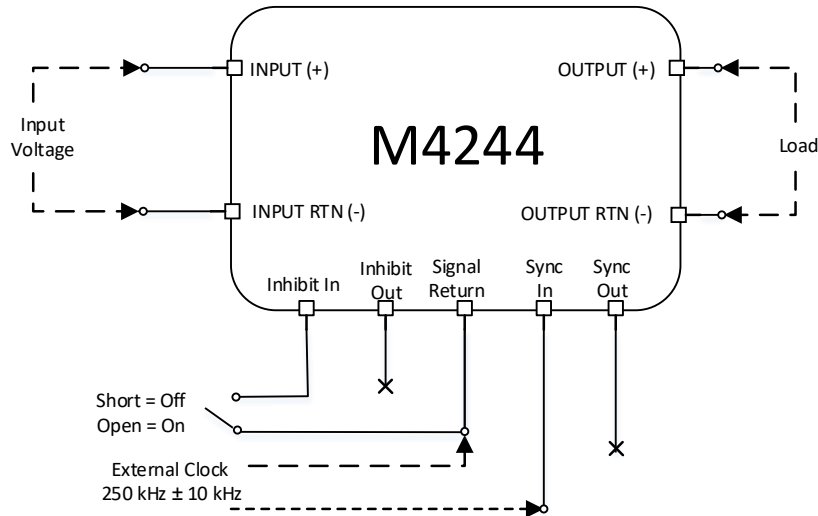
SIGNAL RTN

The SIGNAL RTN is referred to the input.

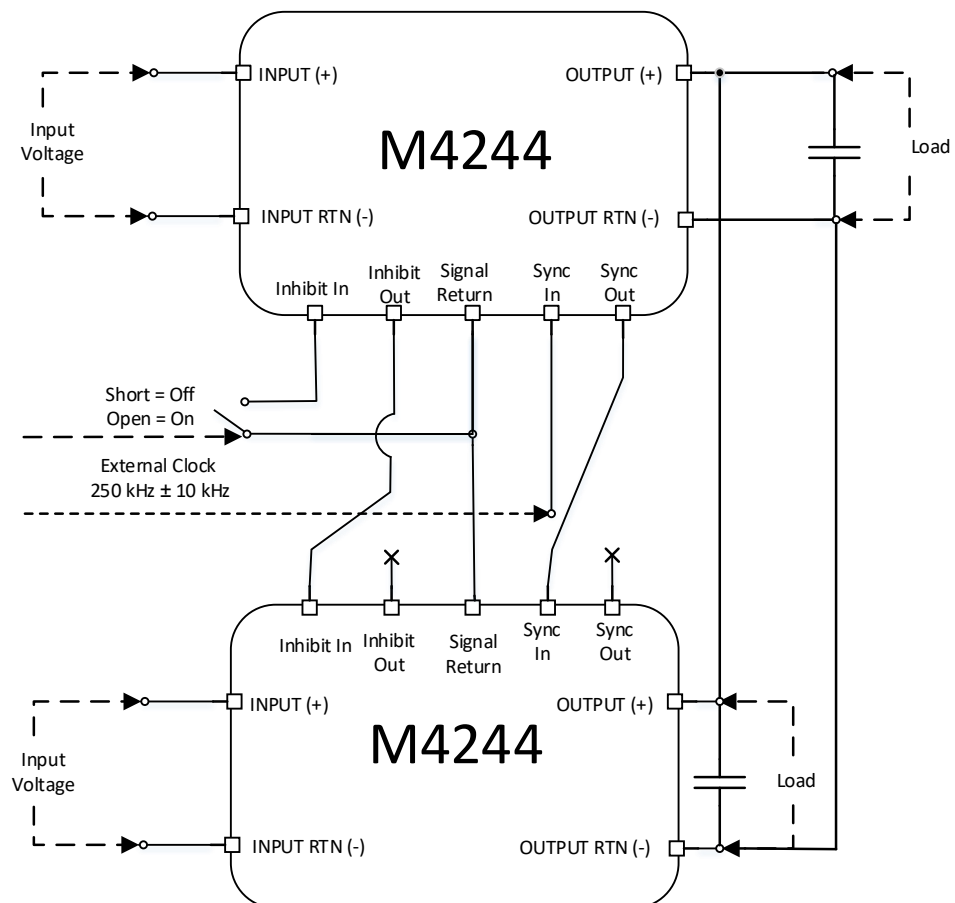
This pin is used as a return path for SYNC IN, SYNC OUT and INHIBIT IN.

M4244 SERIES DC/DC POWER SUPPLY

Typical Connection Diagram
Single converter operation



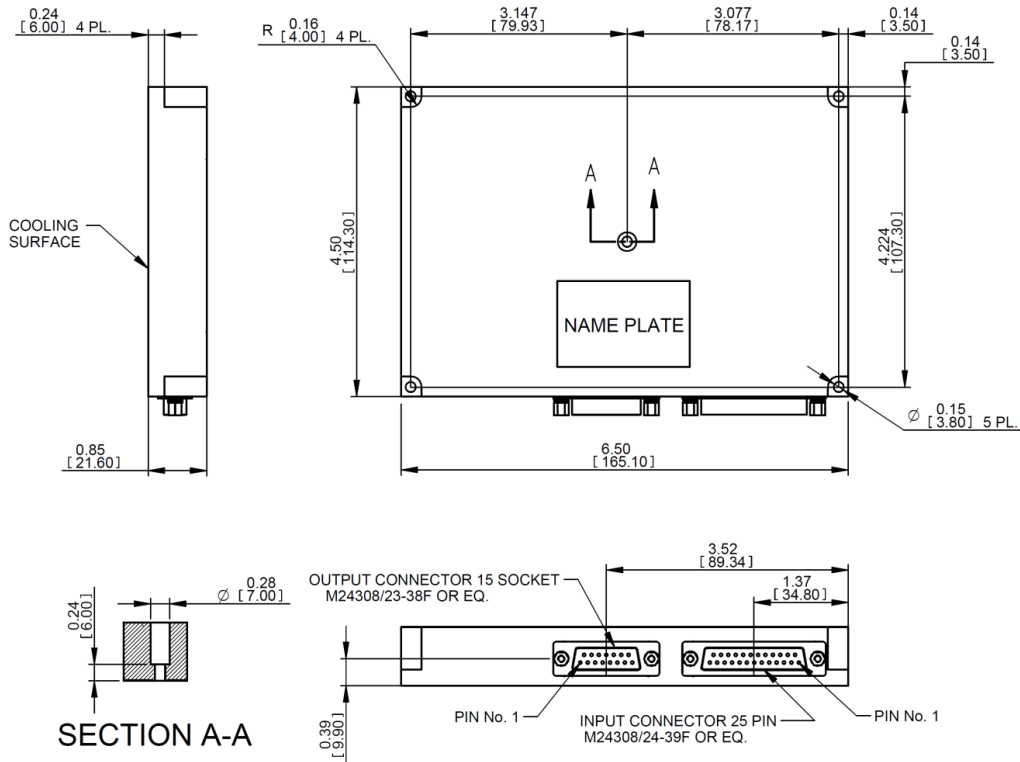
Parallel connection operation



Note: The total regulation (line + load + temperature) is $\pm 2\%$ of nominal voltage.

M4244 SERIES DC/DC POWER SUPPLY

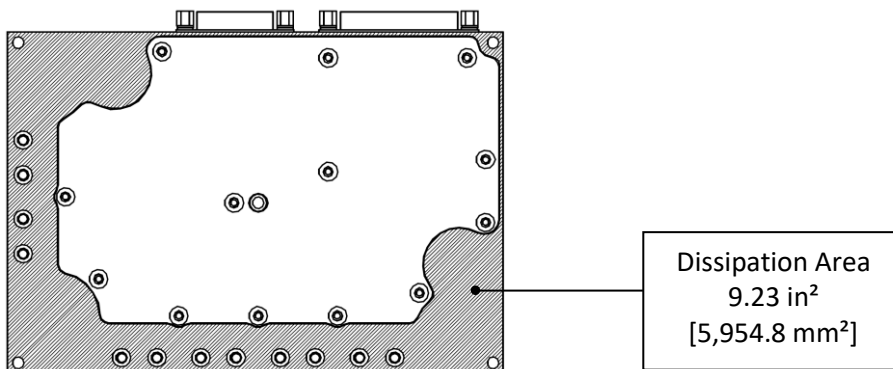
Outline Drawing



Notes

1. Dimensions are in inches [mm]
2. Tolerance is:
.XX ± 0.01 in
.XXX ± 0.005 in
3. Weight: Approx. 25.5 oz [725 g]

Heat Dissipation Surface



Standard Configurations

Part Number	Input	Output		Special features
	Voltage range	Voltage	Current	
M4244-100	18 to 70 V _{DC}	12 V _{DC}	30 A	
M4244-101	18 to 70 V _{DC}	15 V _{DC}	30 A	
M4244-102	18 to 70 V _{DC}	24 V _{DC}	20 A	
M4244-103	18 to 70 V _{DC}	28 V _{DC}	17 A	
M4244-104	18 to 70 V _{DC}	48 V _{DC}	10.5 A	
M4244-105	18 to 70 V _{DC}	270 V _{DC}	1.8 A	
M4244-107	18 to 70 V _{DC}	270 V _{DC}	1.8 A	Parallel operation via output voltage droop. Voltage regulation is ±2%.

Note: Specifications are subject to change without prior notice by the manufacturer