

M8737 SERIES

DC/DC POWER SUPPLY



PRODUCT HIGHLIGHTS

- MINIATURE
- HIGH DENSITY
- TRIPLE OUTPUT
- DC/DC CONVERTER
- UP TO 50W

Applications

Military, Ruggedized, Telecom, Industrial

Special Features

- Miniature size
- High efficiency
- Wide input range
- Input / Output isolation
- Fixed switching frequency (250 kHz \pm 10 kHz)
- External synchronization capability
- TTL logic enable (Inhibit)
- EMI filters included
- Indefinite short circuit protection with auto-recovery
- Over-voltage protection
- Over temperature shutdown with auto-recovery

Environmental Conditions

Meets or exceeds MIL-STD-810D

Temperature:

Operating: -55°C to $+85^{\circ}\text{C}$ (baseplate)

Storage: -55°C to $+125^{\circ}\text{C}$

Vibration:

Operational, random, 15-2000 Hz, 13.71 g_{rms} , 1hr, 3 perpendicular axes

Mechanical Shock:

- 100 g, 6 ms, Half sine
- 30 g, 11 ms, Half sine

Altitude

Method 500.4

Procedures I – Storage/Air transport:

Up to 70,000 ft. (non-operational)

Procedures II – Operation/Air Carriage:

Up to 70,000 ft. (operational)

Reliability

Over 288,000 hours at $+50^{\circ}\text{C}$ baseplate;
Over 150,000 hours at $+85^{\circ}\text{C}$ baseplate;
Calculated per MIL-STD-217F Notice 2,
Airborne Uninhabited Fighter (AUF)
environment.

Electrical Specifications

DC Input

DC Input range: 18 to 48 V_{DC}

Input transient protection:

All models meet or exceed (no damage)

MIL-STD-1275A (100 V for 50 ms) and

MIL-STD-704A, MIL-STD-704D (80 V for 0.1 s)

Efficiency: up to 80%

EMC: Designed to meet* MIL-STD-461F

CE101, CE102, CS101, CS114, CS115,

CS116, RE101, RE102, RS101, RS103

Isolation:

Input to Output: 200 V_{DC}

Input to Case: 200 V_{DC}

DC Outputs (floating from each other)

Line/Load regulation:

Up to $\pm 1\%$ (no load to full load, -55°C to $+85^{\circ}\text{C}$ and over input voltage range)

Ripple and Noise: 50 mV_{p-p}, typical (max. 1%)

Current limiting (Hiccup):

Continuous protection for unlimited time

Over voltage protection:

Passive transorb on outputs.

Over temperature protection:

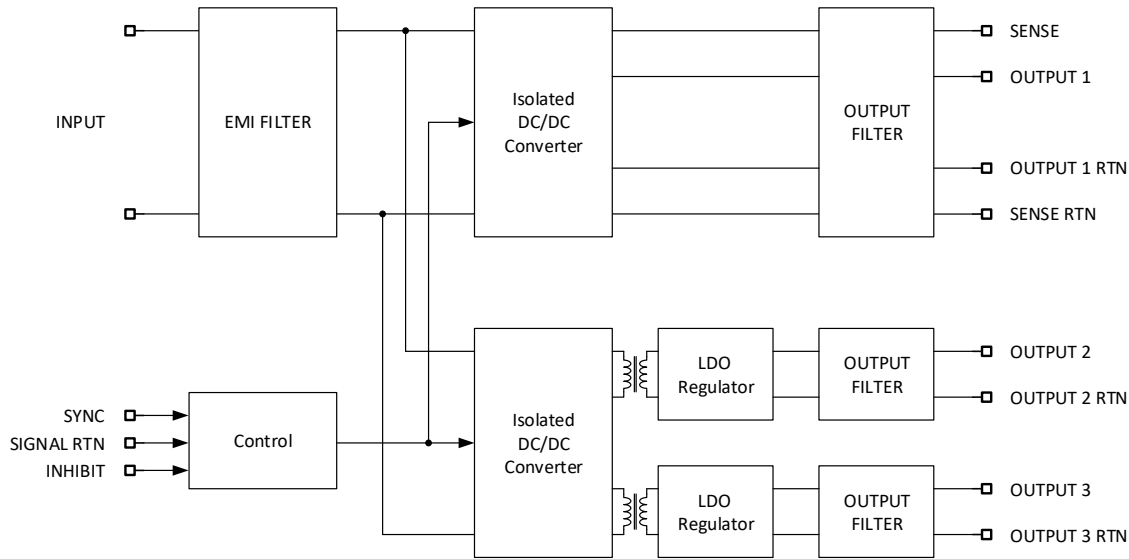
Shutdown at baseplate temperature above $+105^{\circ}\text{C} \pm 5^{\circ}\text{C}$. Automatic recovery at baseplate temperature below $+95^{\circ}\text{C} \pm 5^{\circ}\text{C}$.

Isolation:

Output and Case: 100 V_{DC}

* Compliance achieved with 5 μH LISN, shielded harness and static resistive load.

Operational Block Diagram



Outputs Range

Output #	Voltage Range	Current Range	Power Range
1	1.8 to 70 V _{DC}	0 to 10 A	0 to 45 W
2	2.5 to 24 V _{DC}	0 to 2.5 A	0 to 20 W
3	2.5 to 24 V _{DC}	0 to 1.25 A	0 to 20 W
Total			0 to 50 W

Pin Assignment

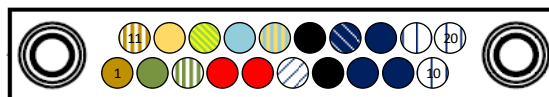
Connector type: Airborn RM272-020-312-2900 or eq.

Mates with: Airborn RM242-020-241-5900 (solder cup terminations) or RM242-020-571-5900 (#20-22 AWG crimp contacts) or eq.

Pin No.	Function		Pin No.	Function	
1	OUT 2 (+)		11	OUT 2 RTN (-)	
2	OUT 3 (+)		12	SYNC IN	
3	OUT 3 RTN (-)		13	CHASIS	
4	VIN (+)		14	INHIBIT	
5	VIN (+)		15	SIGNAL RTN	
6	SENSE 1 (+)		16	VIN RTN (-)	
7	VIN RTN (-)		17	SENSE 1 RTN (-)	
8	OUT 1 (+)		18	OUT 1 (+)	
9	OUT 1 (+)		19	OUT 1 RTN (-)	
10	OUT 1 RTN (-)		20	OUT 1 RTN (-)	

Note:

1. The SIGNAL RTN is referred to the input.
2. SINGAL RTN is the return path for SYNC IN and INHIBIT signals



Functions and Signals

INHIBIT signal

The **INHIBIT** signal is used to turn the power supply ON and OFF.

TTL "1" or OPEN – will turn the power supply ON (For normal operation leave the signal not connected).

TTL "0" or short– will turn the power supply OFF.

This signal is referenced to the **SIGNAL RTN** pin.

SYNC IN signal

The **SYNC IN** signal is used to allow the power supply frequency to sync with the system frequency.

The system frequency should be 250 kHz \pm 10 kHz.

When not connected the power supply will work at 250 kHz \pm 10 kHz.

This signal is referenced to the **SIGNAL RTN** pin.

SIGNAL RTN

The **SIGNAL RTN** pin is used as a return path for **SYNC IN** and **INHIBIT** signals.

This pin is referenced to the **VIN RTN** pin.

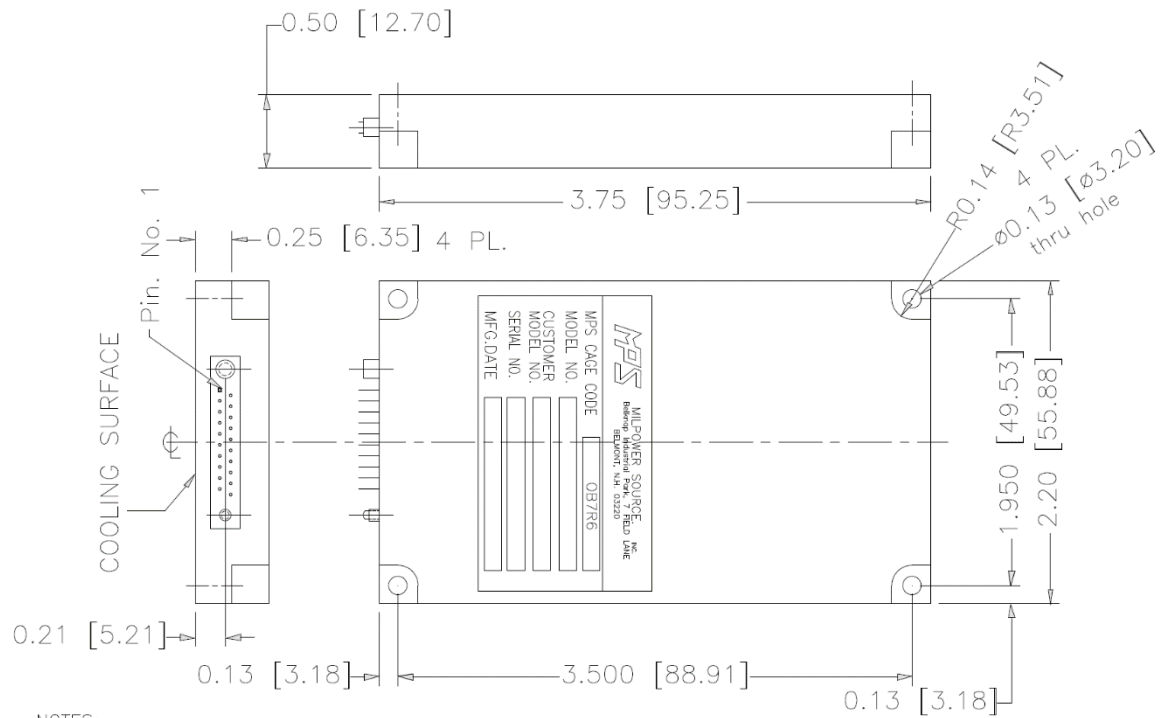
SENSE 1

The **SENSE 1** is used to achieve accurate load regulation at output #1's load terminals. This is done by connecting the pins directly to the load terminals. The remote sense correction function is limited to voltage drop between converter's output and load terminals of 2% to 5%, or up to 0.5V, the least of the two.

When not used, connect **SENSE 1** to **OUT 1** and **SENSE 1 RTN** to **OUT 1 RTN**. These pins can be tied internally if not required, to avoid adding this external connection – *consult factory*.

M8737 SERIES DC/DC POWER SUPPLY

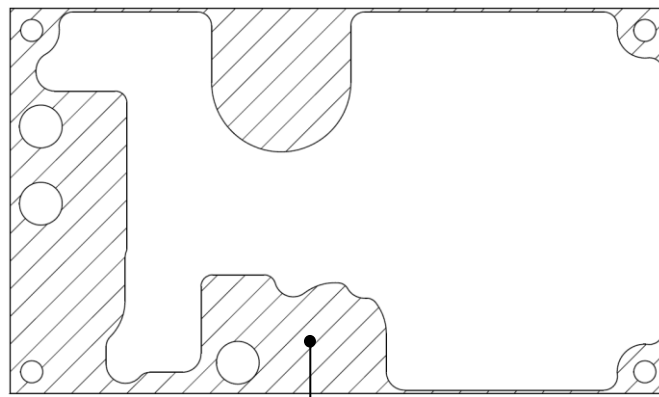
Outline Drawing



NOTES:

1. MTL. AL 6061-T651 PER QQ-A-250/11
2. CONVERSION COATING PER MIL-C-5541 CL 1A

Heat Dissipation Surface



Dissipation Area
2.5785 in²
(1663.5 mm²)

Notes

1. Dimensions are in Inches [mm]
2. Tolerance is:
.XX ±0.01 IN
.XXX ±0.005 IN
3. Weight: Approx. 4.4 oz (125 g)

Specifications are subject to change without prior notice by the manufacturer.