

M8767 SERIES

DC/DC POWER SUPPLY



PRODUCT HIGHLIGHTS

- MINIATURE
- HIGH DENSITY
- SIX OUTPUTS
- DC/DC CONVERTER
- UP TO 80W

Applications

Military, Ruggedized, Telecom, Industrial

Special Features

- Miniature size
- High efficiency
- Wide input range
- Up to 80W, higher output available – please contact us.
- Input / Output isolation
- Fixed switching frequency (250 kHz)
- TTL logic enable
- EMI/RFI filters included
- Indefinite short circuit protection with auto-recovery
- Input over-voltage shutdown with auto-recovery
- Over temperature shutdown with auto-recovery

Environmental Conditions

Meets or exceeds MIL-STD-810D

Temperature:

Operating –55 °C to +85 °C (baseplate)

Storage –55 °C to +125 °C

Reliability

150,000 hours, calculated per MIL-STD-217F at +85 °C baseplate, ground fixed.

* EMC compliance achieved when tested with 5 μ H LISNs, shielded harness and static resistive load.

Electrical Specifications

DC INPUT

DC Input range: 18 to 48 VDC Input

transient protection:

All models meet or exceed (no damage) MIL-STD-1275A (100V for 50 mSec) and MIL-STD-704A, MIL-STD-704I (80V for 0.1 Sec)

Over-voltage shutdown with auto-recovery

Efficiency: Up to 80%

EMC:

Designed to meet* MIL-STD-461F CE101, CE102, CS101, CS114, CS115, CS116, RE101 RE102, RS101, RS103

Isolation:

200V between Input and Output

200V between Input and Case

DC OUTPUT (floating)

Line/Load regulation:

Less than $\pm 1\%$ (no load to full load, –55 °C to +85 °C)

Ripple and Noise: 50mVp-p,

typical (max. 1%) Current

limiting (Foldback):

Continuous protection for unlimited time

Over voltage protection:

Passive transorb on output.

Over temperature protection:

Shutdown at baseplate temperature of +100 °C (± 5 °C)

Automatic recovery at baseplate temperature lower than +90 °C (± 5 °C)

Isolation:

200V between Output and Input 100V

between Output and Case

M8767 SERIES DC/DC POWER SUPPLY

PIN ASSIGNMENT Standard Version

PIN No.	PIN Function
9, 24	+ VIN
8, 23	VIN RTN
20	INHIBIT
5	SYN IN.
19	SIGNAL RTN

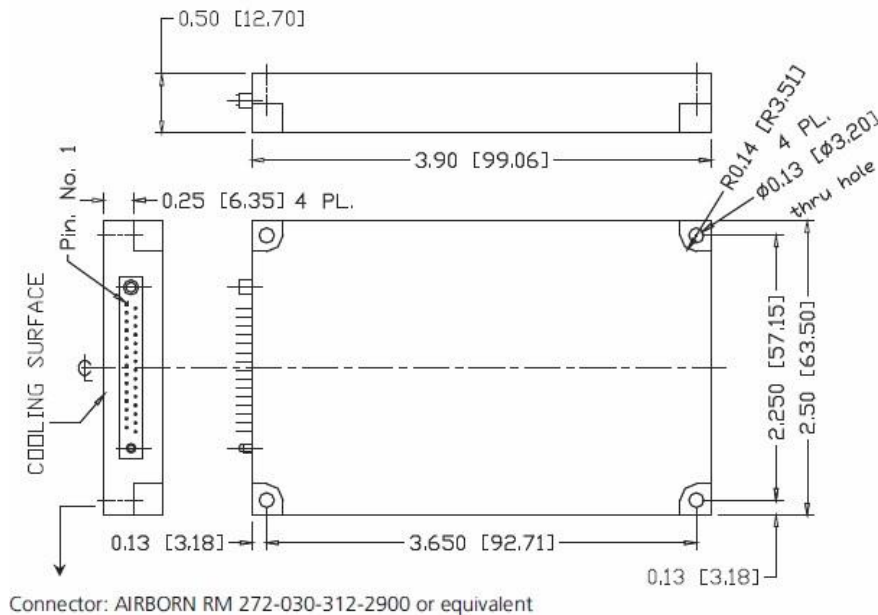
PIN No.	PIN Function
11, 26	+OUT 1
10, 25	- OUT 1
13, 28	+ OUT 2
12, 27	- OUT 2
15, 30	+ OUT 3

PIN No.	PIN Function
14, 29	- OUT 3
7, 22	+ OUT 4
6, 21	- OUT 4
4	+ OUT 5
3	- OUT 5

PIN No.	PIN Function
2, 17	+ OUT 6
1, 16	- OUT 6
18	CHASSIS

* Note: The SIGNAL RTN is referred to the input.
This is used as grounding for SYNC IN and INHIBIT signals

OUTLINE DRAWING Standard Version



*Specifications are subject to change without prior notice by the manufacturer

Notes

1. Dimensions are in inches [mm]
2. Tolerance is:
.XX ±0.01IN
.XXX 0.005 IN
3. Weight: Approx. 4.4 oz (125 g)

PIN ASSIGNMENT Optimal

PIN No.	PIN Function
9, 24	+ VIN
8, 23	VIN RTN
20	INHIBIT
5	SYN IN.
19	SIGNAL RTN

PIN No.	PIN Function
11, 26	+OUT 1
10, 25	- OUT 1
13, 28	+ OUT 2
12, 27	- OUT 2
15, 30	+ OUT 3

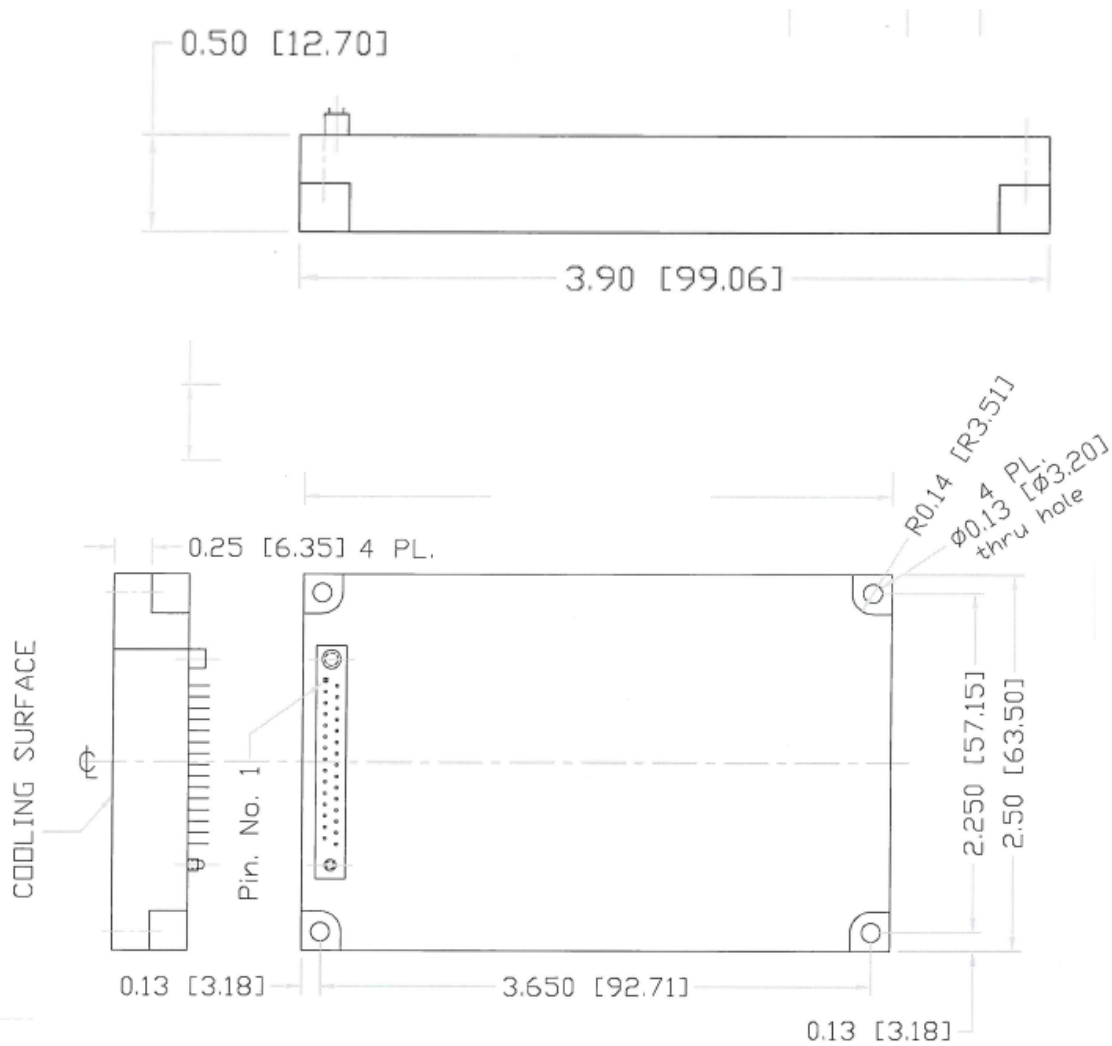
PIN No.	PIN Function
14, 29	- OUT 3
7, 22	+ OUT 4
6, 21	- OUT 4
4	+ OUT 5
3	- OUT 5

PIN No.	PIN Function
2, 17	+ OUT 6
1, 16	- OUT 6
18	N.C

* Note: The SIGNAL RTN is referred to the input.
This is used as grounding for SYNC IN and INHIBIT signals

M8767 SERIES DC/DC POWER SUPPLY

OUTLINE DRAWING Optimal



Notes

4. Dimensions are in inches [mm]
5. Tolerance is:
.XX ±0.01IN
.XXX 0.005 IN
6. Weight: Approx. 4.4 oz (125 g)

**Specifications are subject to change without prior notice by the manufacturer*